

MSU-121

The MSU-121 is a 12 input multiformat presentation switcher with two scalable HDMI outputs. This switcher has 10 HDMI inputs capable of accepting a wide range of resolutions up to 4K UHD 2 VGA + audio input ports for support of legacy devices.

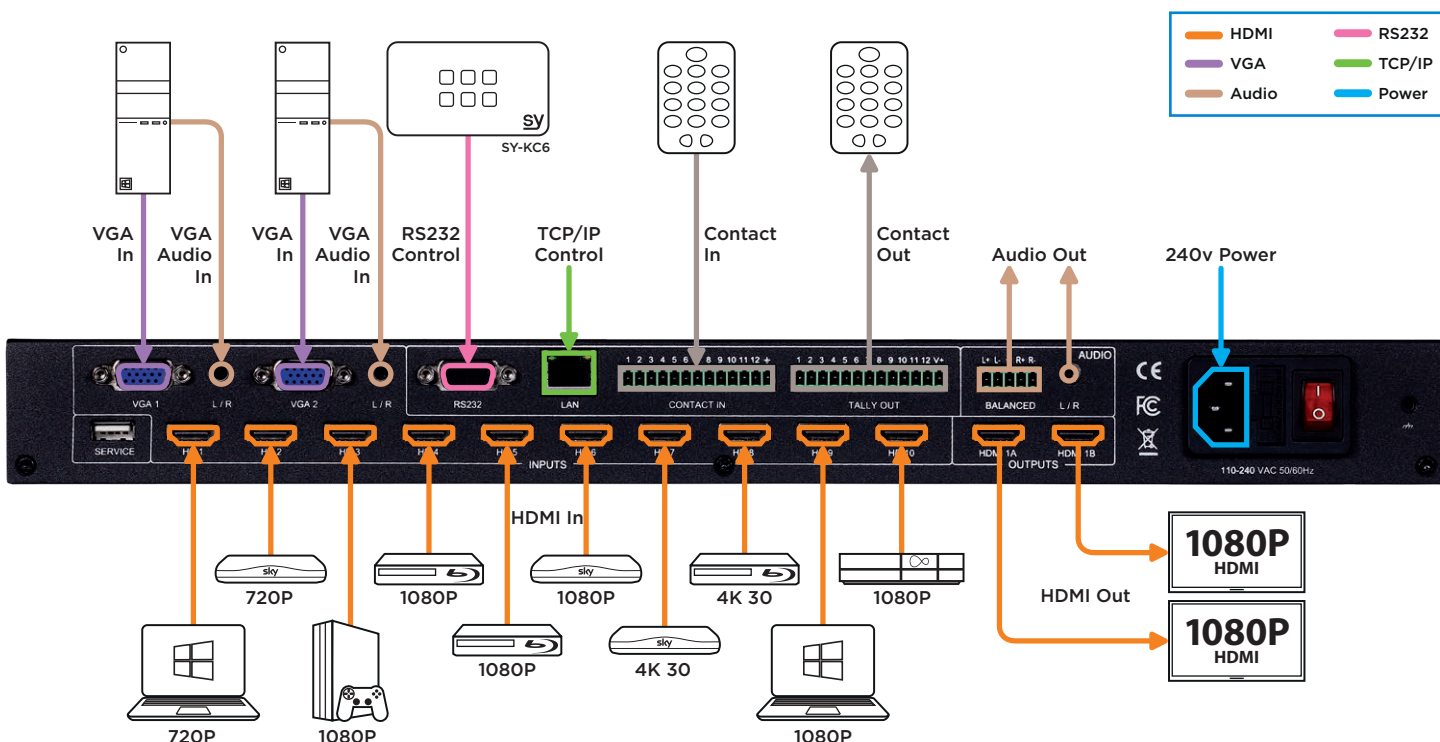
Any input can be selected to output to the dual HDMI outputs (mirrored). Each input can be scaled to output at a max resolution of up to 1080P ensuring the connected device receives an optimal resolution regardless of the input. Also the Audio can be de-embedded on balanced or 3.5mm TRS jack. This can then be sent to an amplifier to provide audio to the room's speakers. The MSU-121 also has Picture management (colour, brightness, contrast), Noise reduction, HDCP management and EDID Management. The VGA inputs have several additional adjustments from size, position and phase. All of this can be controlled from either the front panel, RS232, LAN, IR, contact closure or by using the PC App. Front panel buttons control the 'On Screen Display' Menu which is shown on any connected display device.

This unit is a cost effective 4K Presentation Switcher and can accommodate a variety of installations. A smart choice for education and corporate environments.

FEATURES

- 10 HDMI inputs and 2 VGA inputs
- HDMI input resolutions up to 4K30
- Compliant to HDMI 1.4 and HDCP 1.4
- VGA input resolutions up to 1900x1200 60Hz
- Two scalable mirrored HDMI outputs. Max output resolutions up to 1920x1080p 60Hz and 1680x1050p 60Hz
- Analogue audio out via balanced terminal connectors or unbalanced 3.5mm jack outputs
- OSD menu for easy configuration

CONNECTIVITY ILLUSTRATION



SPECIFICATIONS

PART NUMBER	SY-MSU-121	
VIDEO RESOLUTIONS/FORMATS	All HDMI resolutions to 3840x2160p 30Hz 4:4:4 or 3840x2160p 60Hz 4:2:0	
BANDWIDTH	10.2Gbs	
HDCP	Compatible with all versions up to HDCP 1.4	
HDMI	HDMI 1.4	
INPUTS	Video 10x HDMI 2x VGA	Audio L+R Audio via 3.5mm TRS jacks for the VGA inputs
OUTPUTS	Video 2x HDMI	Audio 1x 3.5mm L+R 1x Balanced audio out
CONTROL	IR LAN RS232 Contact closure	
POWER SUPPLY	110-240V AC	
POWER CONSUMPTION	25W Max.	
WEIGHT AND DIMENSIONS	Weight (net) 3kg	Size (WHD) 430 x 44 x 220mm
WHAT'S IN THE BOX	1x MSU-121 2x Mounting brackets (already fitted) 1x 5 way Terminal block 1x 13 way Terminal block 1x AC PSU (IEC) 1x User manual	

SY-MSU-121 Data Sheet 01. Details subject to change with no prior notice. ©SY Electronics 2023